



Instruction Sheet

Model Y5001

Interface Cable Assembly

The Y5001 is a custom-built cable that provides an interface between the Y5000 5100 Series Interface Assembly and a Fluke Model 5205A 5215A Power Amplifier.

NOTE

Since the described cable assembly is custom-built to operate with the Y5000 5100 Series Interface, it is suggested that this instruction sheet be permanently filed with the Y5000 Instruction Manual.

The end of the cable assembly that connects to the Y5000 has two connectors. One is a 36-pin male connector that connects to the digital output (J1 or subsequent odd numbers), the other a 14-pin male connector that goes to

the analog output (J2 or subsequent even numbers). The other end of the cable has a 25-pin female connector that goes to the connector labeled 5200 on the Model 5205A 5215A rear panel. The pin-to-pin connections in the cable are shown in Figure 1.

The male connectors are standard items. The 36-pin connector is Fluke Part Number 158451, Manufacturer's Federal Supply Code 71785, and Manufacturer's Part Number 57-30360. The 14-pin connector is in the same sequence: 272443; 71785; 57-30-140. The female connector is built from the following items in the same sequence:

Connector, Female 25-pin: 312579; 71785; DB-25S
Connector, Backshell: 352732; 02660; 17-1372
Spring Clip Set: 330134; 89536; 330134.
The quantity for all items is one.

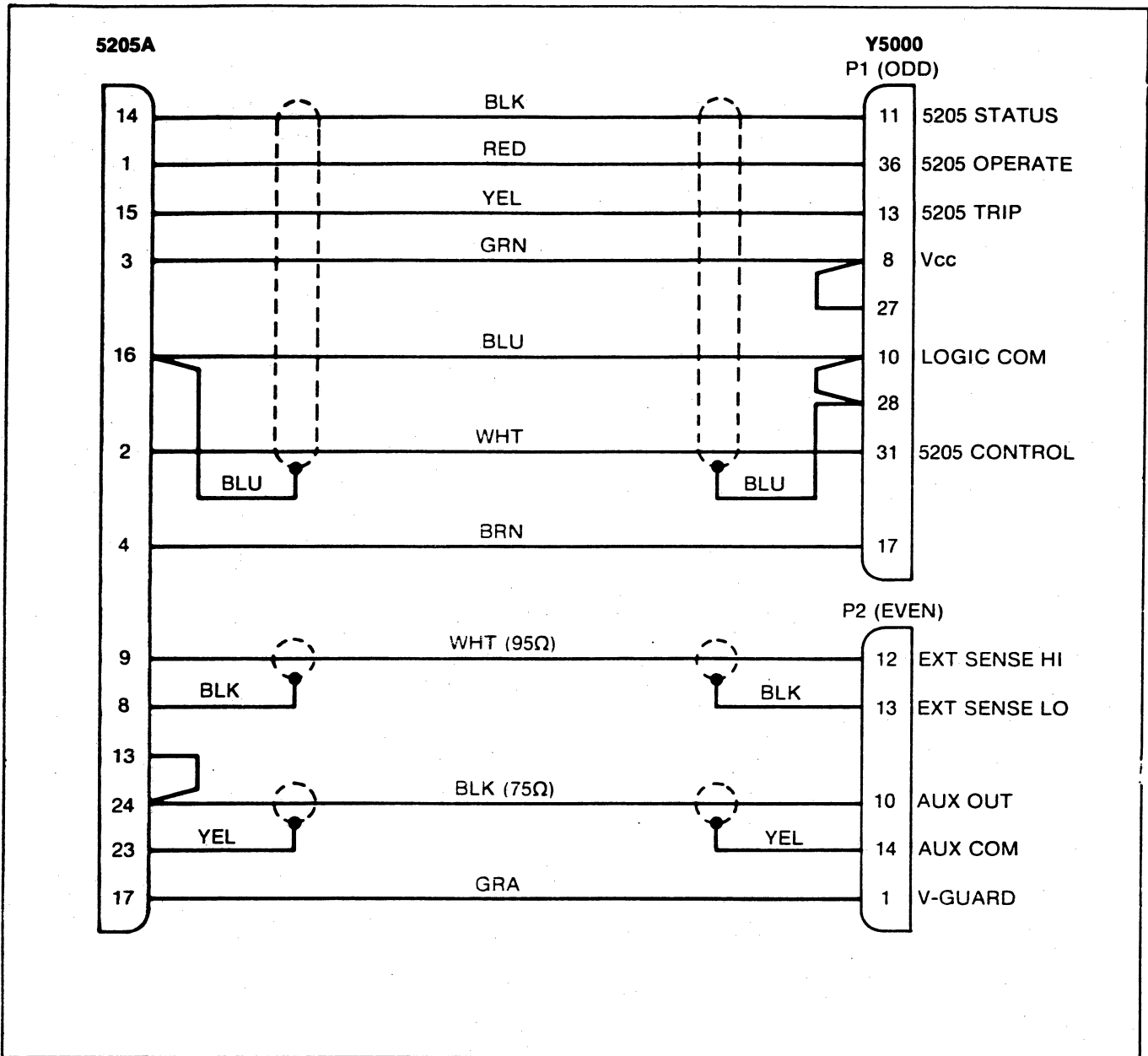


Figure 1. Y5001 Schematic